

INCH-POUND
MIL-C-83522/5E
17 May 2006
SUPERSEDING
MIL-C-83522/5D
30 December 1988

MILITARY SPECIFICATION SHEET

CONNECTOR, RECEPTACLE, FIBER OPTIC, BULKHEAD MOUNT, FOR SINGLE FIBER

Inactive for new design
after 17 August 1999

This specification is approved for use by all Departments and Agencies of the Department of Defense.

The requirements for acquiring the product described herein shall consist of this specification sheet and MIL-C-83522.

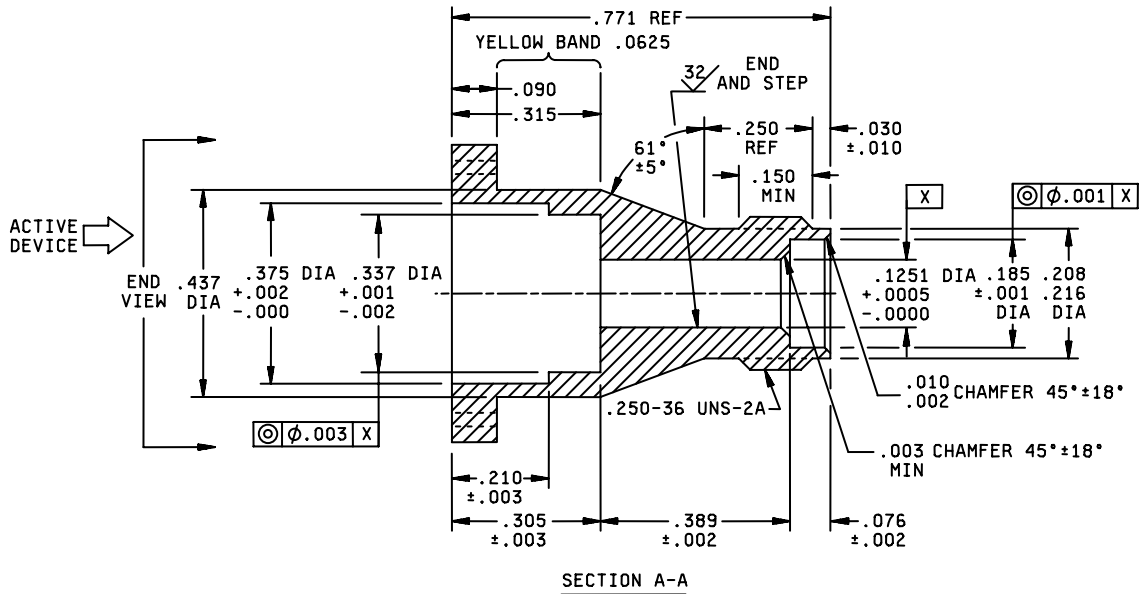
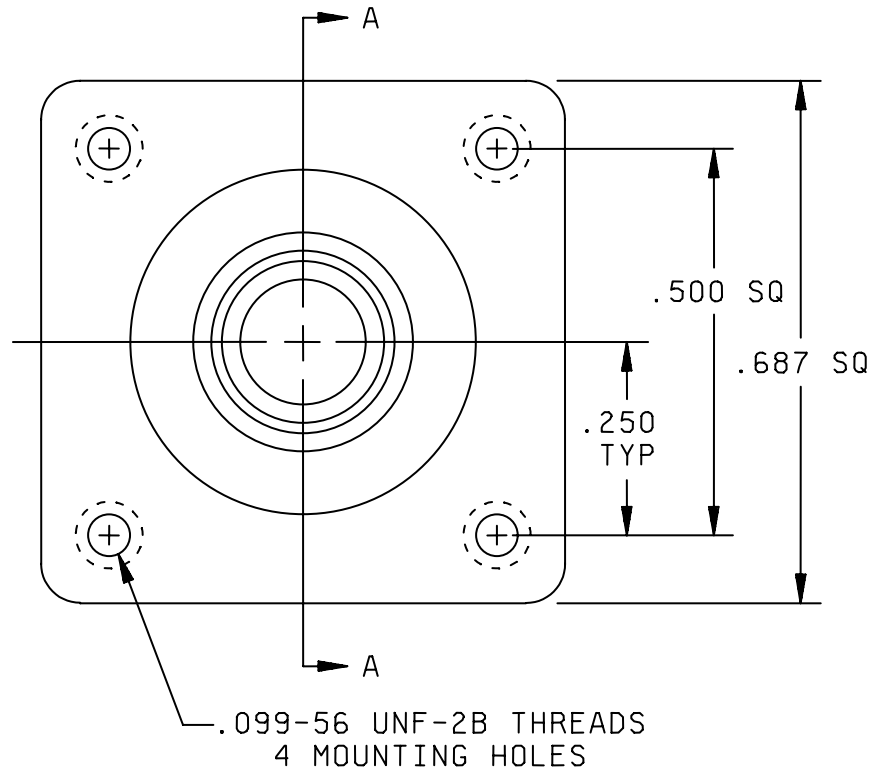


FIGURE 1. Dimensions and configurations.



Inches	mm	Inches	mm
.0005	0.013	.210	5.33
.001	0.03	.216	5.49
.002	0.05	.250	6.35
.003	0.08	.315	8.00
.010	0.25	.337	8.56
.030	0.76	.350	8.89
.0625	1.588	.375	9.53
.076	1.93	.389	9.88
.090	2.29	.437	11.10
.1251	3.178	.500	12.70
.150	3.81	.687	17.45
.185	4.70	.771	19.58
.208	5.28		

FIGURE 1. Dimensions and configurations - Continued.

MIL-C-83522/5E

Part or Identifying Number: M83522/5-01.

REQUIREMENTS:

Metals: The receptacle housing and other metal components shall be of corrosion resistant steel in accordance with SAE-AMS-QQ-S-763, class 303 or nickel plated brass in accordance with ASTM-B36/B36M alloys C23000, C24000, C26000, or C26800 or ASTM-B16/B16M or ASTM-B122/B122M alloys C377000, C46400, C48200, or C48500.

Weight: 4 grams maximum.

Safety wire holes: Not applicable.

Force to engage and disengage:

Longitudinal force: 12 pounds maximum.

Torque: 4 inch-pounds maximum.

Coupling proof torque: Not applicable.

Coupling mechanism retention force: Not applicable.

Ozone exposure: Not applicable.

Receptacle accessories: TO can alignment sleeve(s), and 1 dust cover.

NOTES: The receptacle mates with MIL-C-83522/1 plug and MIL-C-83522/2 plug.

The receptacle accepts TO can sizes 5, 18, 46 and 52.

Marginal notations are not used in this revision to identify changes with respect to the previous issue due to the extent of the changes.

Referenced documents: In addition to MIL-C-83522, this document references the following:

MIL-C-83522/1	ASTM-B16/B16M	ASTM-B122/B122M
MIL-C-83522/2	ASTM-B36/B36M	SAE-AMS-QQ-S-763

Custodians:

Army - CR
Navy - SH
Air Force - 11
DLA - CC

Preparing activity:
DLA - CC

(Project 6060-2006-015)

Review activities:

Navy - AS
Air Force – 02, 03, 19, 33, 93, 99
DIA - DI
NASA - NA

NOTE: The activities listed above were interested in this document as of the date of this document. Since organizations and responsibilities can change, you should verify the currency of the information above using the ASSIST Online database at <http://assist.daps.dla.mil/>.