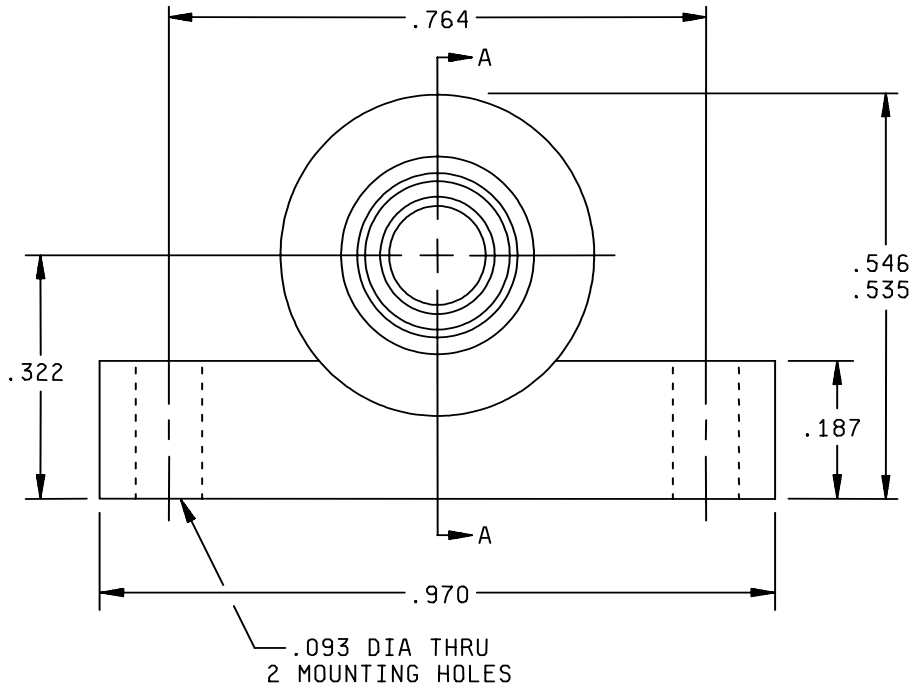


MIL-C-83522/7C



Inches	mm	Inches	mm
.0005	0.013	.190	4.83
.001	0.03	.210	5.33
.002	0.05	.212	5.38
.003	0.08	.245	6.22
.004	0.10	.250	6.35
.005	0.13	.280	7.11
.01	0.3	.290	7.37
.010	0.25	.305	7.75
.030	0.76	.322	8.18
.0025	1.588	.337	8.56
.065	1.65	.375	9.53
.076	1.93	.389	9.88
.093	2.36	.437	11.10
.1251	3.178	.535	13.59
.150	3.81	.546	13.87
.185	4.70	.764	19.41
.187	4.75	.771	19.58
		.970	24.64

NOTES:

1. Dimensions are in inches.
2. Metric equivalents are for general information only.
3. Unless otherwise specified, tolerance is $\pm .005$ (0.13 mm) for three place decimals.

FIGURE 1. Dimensions and configuration – Continued.

MIL-C-83522/7C

Part or Identifying Number: M83522/7-01.

REQUIREMENTS:

Metals: The adapter housing and other metal components shall be of corrosion resistant steel in accordance with SAE-AMS-QQ-S-763, class 303 or nickel plated brass in accordance with ASTM-B36/B36M alloys C23000, C24000, C26000, or C26800 or ASTM-B16/B16M or ASTM-B122/B122M alloys C377000, C46400, C48200, or C48500.

Weight: 4 grams maximum.

Safety wire holes: Not applicable.

Force to engage and disengage:

 Longitudinal force: 12 pounds maximum.

 Torque: 4 inch-pounds maximum.

Coupling proof torque: Not applicable.

Coupling mechanism retention force: Not applicable.

Ozone exposure: Not applicable.

Receptacle accessories: Receptacle accessories shall include two screws, one dust cover, and TO can alignment sleeve(s).

NOTE: The receptacle mates with MIL-C-83522/1 plug and MIL-C-83522/2 plug.

 The receptacle accepts TO can sizes 6, 18, 46, and 52.

Referenced documents: In addition to MIL-C-83522, this document references the following:

MIL-C-83522/1	ASTM-B16/B16M	ASTM-B122/B122M
MIL-C-83522/2	ASTM-B36/B36M	SAE-AMS-QQ-S-763

Marginal notations are not used in this revision to identify changes with respect to the previous issue due to the extent of the changes.

MIL-C-83522/7C

Custodians:
Army – CR
Navy – SH
Air Force – 11
DLA - CC

Preparing activity:
DLA - CC

(Project 6060-2006-016)

Review activities:
Navy – AS
Air Force – 02, 03, 19, 33, 93, 99
DIA - DI
NASA - NA

NOTE: The activities listed above were interested in this document as of the date of this document. Since organizations and responsibilities can change, you should verify the currency of the information above using the ASSIST Online database at <http://assist.daps.dla.mil/>.