

INCH-POUND

MIL-PRF-28876/13E
 4 October 2004
 SUPERSEDING
 MIL-C-28876/13D
 9 July 1992

PERFORMANCE SPECIFICATION SHEET

CONNECTORS, FIBER OPTIC, CIRCULAR, RECEPTACLE STYLE,
 MULTIPLE REMOVABLE TERMINI, SCREW THREADS, JAMNUT MOUNTING
 WITH 45° BACKSHELL, ENVIRONMENT RESISTING

This specification is approved for use by all Departments
 and Agencies of the Department of Defense.

The requirements for acquiring fiber optic connectors described
 herein shall consist of this specification sheet and MIL-PRF-28876.

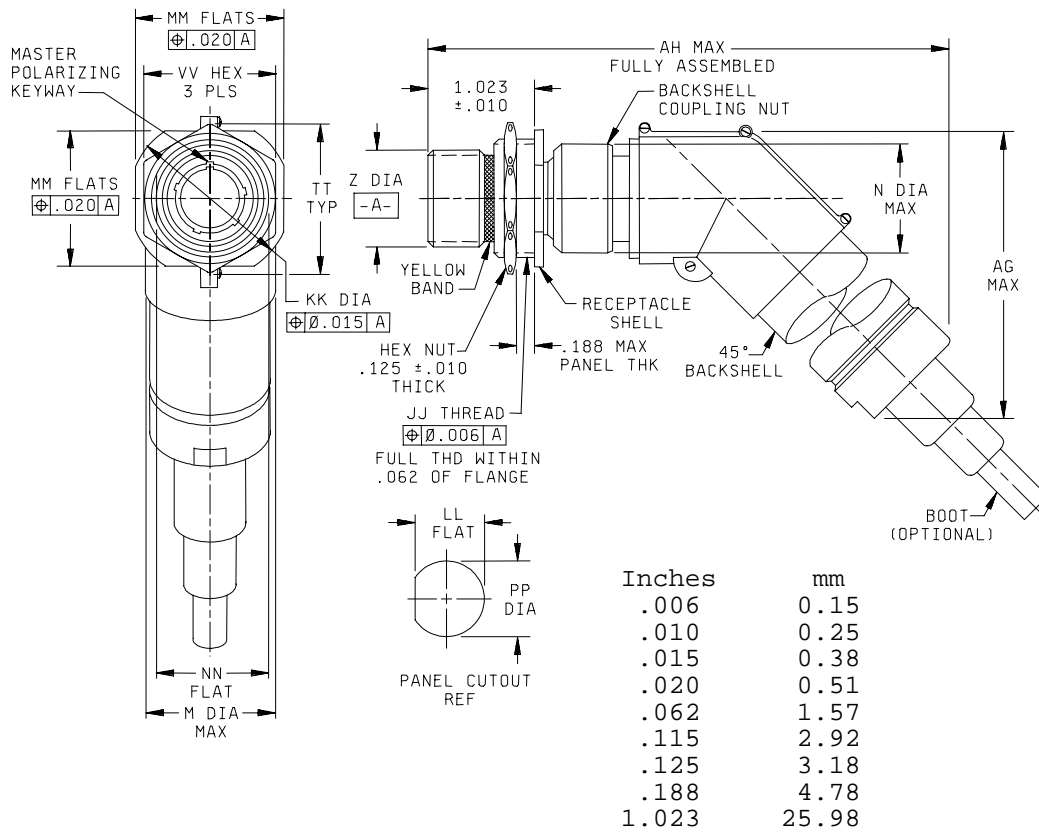


FIGURE 1. Jamnut receptacle connector with 45° backshell.

Shell Size 6/	N dia max	LL	KK	MM	Z dia max	NN flat	PP dia	TT hex corner max	VV hex	M dia max	AG max	AH max
11	.960 (24.38)	.853 (21.67)	1.368 (34.75)	1.274 (32.36)	.750 (19.05)	.841 (21.36)	.890 (22.61)	1.290 (32.77)	1.079 (27.41)	1.450 (36.83)	3.540 (89.92)	6.150 (156.21)
		.843 (21.41)	1.348 (34.24)	1.254 (31.85)		.832 (21.13)	.880 (22.35)	1.045 (26.54)				
13	1.085 (27.56)	.978 (24.84)	1.508 (38.30)	1.399 35.53	.875 (22.23)	.966 (24.54)	1.015 (25.78)	1.435 (36.45)	1.205 (30.61)	1.450 (36.83)	3.580 (90.93)	6.220 (157.99)
		.968 (24.59)	1.488 (37.80)	1.379 (35.03)		.957 (24.31)	1.005 (25.53)	1.171 (29.74)				
15	1.257 (31.93)	1.165 (29.59)	1.681 (42.70)	1.587 (40.31)	1.062 (26.97)	1.153 (29.29)	1.203 (30.56)	1.650 (41.91)	1.392 (35.36)	1.550 (39.37)	3.850 (97.79)	6.500 (165.10)
		1.155 (29.34)	1.661 (42.19)	1.567 (39.80)		1.144 (29.06)	1.193 (30.30)	1.358 (34.49)				
23	1.695 (43.05)	1.598 (40.59)	2.108 (53.54)	2.014 (51.16)	1.500 (38.10)	1.587 (40.31)	1.635 (41.53)	2.093 (53.16)	1.812 (46.02)	2.250 (57.15)	5.000 (127.00)	7.500 (190.50)
		1.588 (40.34)	2.088 (53.04)	1.994 (50.65)		1.578 (40.08)	1.625 (41.28)	1.778 (45.16)				

NOTES:

1. Dimensions are in inches.
2. Metric equivalents are given for general information only.
3. Metric equivalents (mm) are in parentheses.
4. Dimensions apply to plated/finished part.
5. For insert arrangement, see the indicated figure in appendix B of MIL-PRF-28876.
6. The color band should be yellow and in accordance with EIA-359 for all shell sizes.

FIGURE 1. Jamnut receptacle connector with 45° backshell - Continued.

MIL-PRF-28876/13E

Shell size	Insert figure <u>5</u> /	For color band EIA-359	JJ thread class 2A
11	B-1	Yellow	.875-20 UNEF
13	B-2	Yellow	1.000-20 UNEF
15	B-3 or B-4	Yellow	1.1875-18 UNEF
23	B-5 or B-6	Yellow	1.625-18 UNEF

FIGURE 1. Jamnut receptacle connector with 45° backshell - Continued.

REQUIREMENTS:

Dimensions and configurations: See figure 1 herein and MIL-PRF-28876 appendix A, figure A-2, figure A-6, and figure A-7.

Weight (without termini):

<u>Shell size</u>	<u>Weight (ounces, (gram)), maximum</u>
11	10.5 ounces (297.675g)
13	11.5 ounces (326.025 g)
15	15.5 ounces (439.425 g)
23	28.0 ounces (793.8 g)

Fiber optic cable:

Cable diameter: .315 ± .020 inch (8.00 ± 0.51 mm), or .425 ± .043 inch (10.80 ± 1.09 mm), or .817 ± .049 inch (20.75 ± 1.24 mm).

Protective caps: Each connector shall be supplied with protective caps over the front and rear portions of the connector.

Insert arrangement: See appendix B of MIL-PRF-28876 for desired shell size.

Termini: Style P (pin) or S (socket). See MIL-PRF-29504/1, MIL-PRF-29504/2, MIL-PRF-29504/12, MIL-PRF-29504/13, MIL-PRF-29504/14, and MIL-PRF-29504/15 (For dummy terminus, see MIL-PRF-29504/3).

MIL-PRF-28876/13E

Cleaning procedures: Each shipment of connectors shall include recommended cleaning procedures. The following wording or equivalent is recommended "To clean, use lint free wipe dampened with alcohol and blow dry with air".

Shell polarization: 1 through 6 keyway positions. See MIL-PRF-28876 appendix A, figure A-3.

Marking:

Part or Identifying Number (PIN): Marked on coupling ring of plug (see table I).

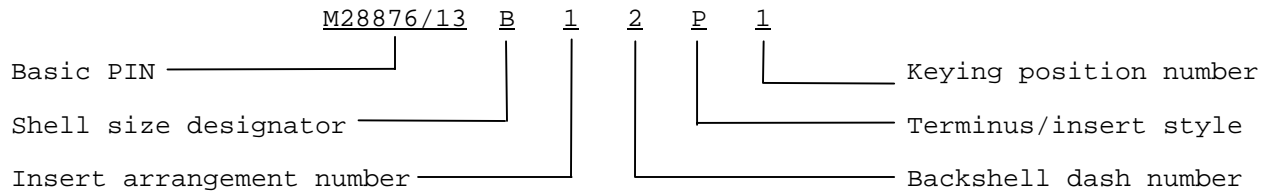


TABLE I. PIN designators.

Shell size	Designator	Insert arrangement number	Terminus/insert style	Key position	Maximum cable outer diameter in accordance with backshell dash number		
					-1	-2	-3
11	A	1	P or S	1, 2, 3, 4, 5, or 6	.250 (6.35)	.346 (8.79)	
13	B	1	P or S	1, 2, 3, 4, 5, or 6	.285 (7.24)	.346 (8.79)	.453 (11.50)
15	C	1 or 2	P or S	1, 2, 3, 4, 5, or 6	.500 (12.70)	.250 (6.35)	.375 (9.53)
23	F	1 or 2	P or S	1, 2, 3, 4, 5, or 6	.866 (22.00)	1.000 (25.40)	.600 (15.24)

Mating counterpart: Plug connectors specified in MIL-PRF-28876/6 through MIL-PRF-28876/9.

Installation and removal tools: As specified in NAVSEA drawing 6872813.

For qualified products listing, quality conformance, and periodic inspections, dummy termini shall be used in all unused cavities.

NOTES:

Marginal notations are not used in this revision to identify changes with respect to the previous issue due to the extent of the changes.

Referenced documents. In addition to MIL-PRF-28876, this specification sheet references the following documents:

MIL-PRF-28876/6	MIL-PRF-28876/7	MIL-PRF-28876/8
MIL-PRF-28876/9		
NAVSEA drawing 6872813		
EIA-359		

CONCLUDING MATERIAL

Custodians:

Army - CR
Navy - SH
Air Force - 11
DLA - CC

Preparing activity:

Navy-SH

Agent:

DLA - CC

Review activities:

Navy - AS
Air Force - 13, 19, 93, 99
DIA - DI
NASA - NA

(Project 6060-0144-13)

NOTE: The activities listed above were interested in this document on the date of this document. Since organizations and responsibilities can change, you should verify the currency of the information above using the ASSIST Online database at <http://www.dodssp.daps.mil/>.